

## Z1223 PLATE TYPE SYSTEM – TROUGH URINALS



### ENGINEERING SPECIFICATION

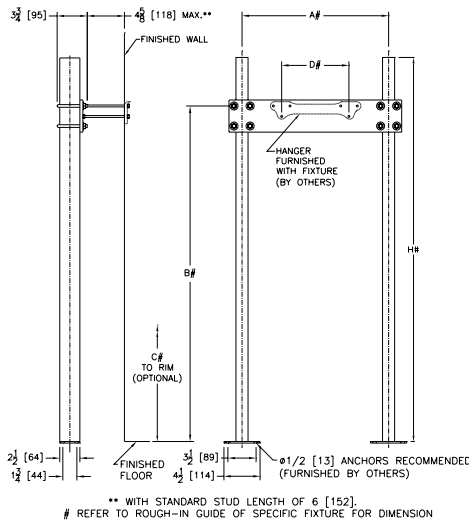
Zurn Z1223 lavatory support system with top support plate comes complete with Dura-Coated rectangular steel uprights with welded feet, adjustable support plate, and mounting fasteners.

### NOTES

Dimensional data for letter dimensions depends on fixture type and manufacturer. See Zurn Carrier/Fixture Rough-In information at [www.Zurn.com](http://www.Zurn.com) for specific rough-in dimensions.

Product Number	Approximate Weight lb [kg]
Z1223	33 [15]

PREFIXES	DESCRIPTION	LIST PRICE
Z1223*	Dura-Coated System with Support Plate	1,919.00
SUFFIXES	ADD	
-1	Longer Urinal (For Ea. 1' over 5') Per Foot	388.00
-2	Bearing Plate Assembly	178.00



## Z1224 PLATE TYPE SYSTEM – LAVATORY WITH BACK



### ENGINEERING SPECIFICATION

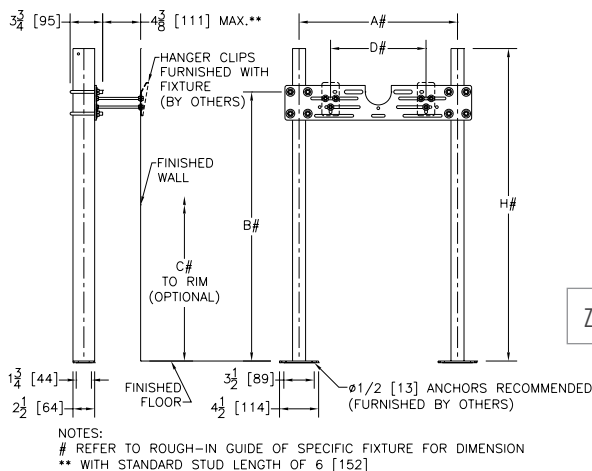
Zurn Z1224 lavatory support system with top support plate comes complete with Dura-Coated rectangular steel uprights with welded feet, adjustable support plate, and mounting fasteners.

### NOTES

Dimensional data for letter dimensions depends on fixture type and manufacturer. See Zurn Carrier/Fixture Rough-In information at [www.Zurn.com](http://www.Zurn.com) for specific rough-in dimensions.

Product Number	Approximate Weight lb [kg]
Z1224	28 [13]
Z1224-D	52 [24]

PREFIXES	DESCRIPTION	SINGLE	DOUBLE
Z1224*	Dura-Coated System with Universal Plate	750.00	-
Z1224-D	Back-to-Back System	-	992.00
SUFFIXES	ADD		
Ⓢ -CB	Carrier Bank (Per Each)	POA	POA
-D	Back-to-Back System	See Prefix Z1224-D	
Ⓢ -EZ	Easy-to-Install Assembly	257.00	512.00
-SL	Stud Length Over 6" - Per Inch (Specify Length)	53.00	105.00
-WS	Wall Support Valve Plate (Specify Valve Name and Number)	151.00	302.00
-2	Bearing Plate Assembly	92.00	182.00
BEST SELLERS		LIST PRICE	
Z1224-75-DOUBLE		992.00	
Z1224-75-SINGLE		750.00	
Z1224-75-TRIPLE		POA	



Items designated as Best Sellers are most specified and are generally in stock for shipment.  
 Ⓢ This symbol denotes a product that is engineered to reduce installation and rework time.  
 For Additional System Tools See "Z1200 Carrier Tools and Accessories" on page 214

\*Regularly furnished unless otherwise specified.  
 For additional product information, please visit [www.zurn.com](http://www.zurn.com)